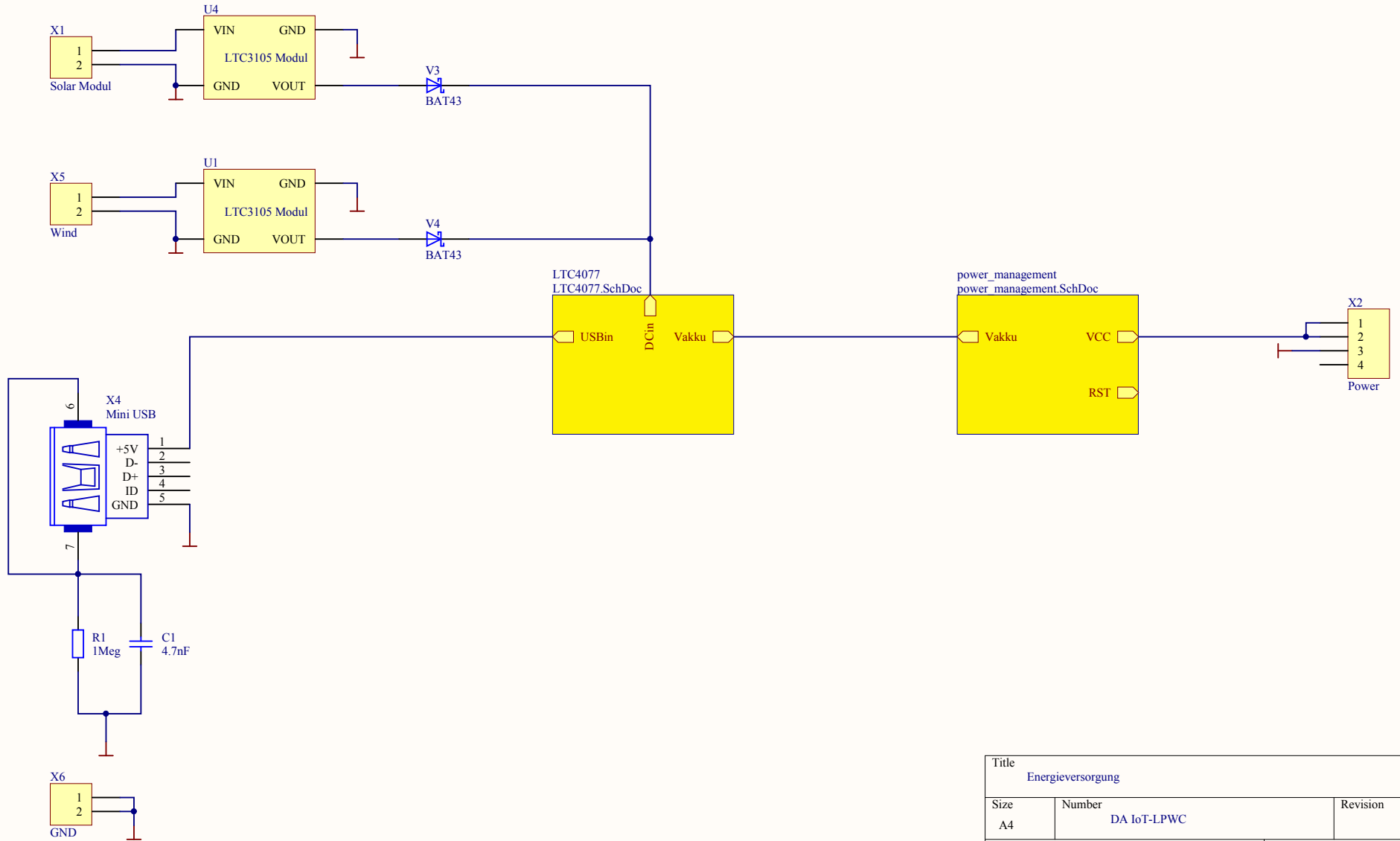
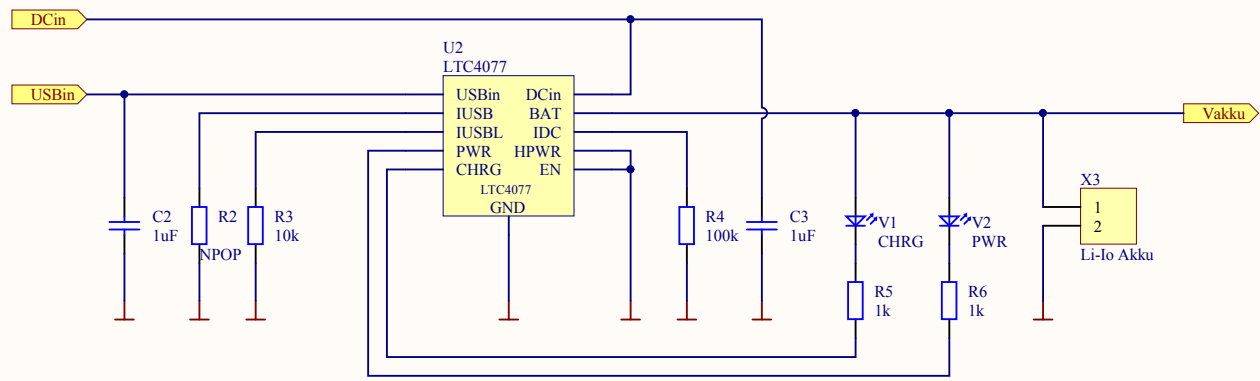


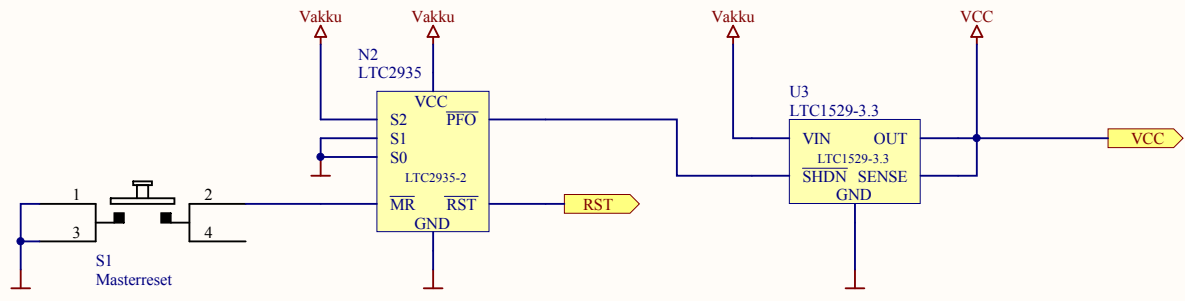
# Energieversorgung der Ackerplatine



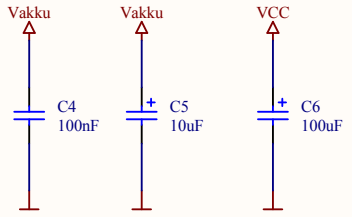
|  |                               |               |
|--|-------------------------------|---------------|
| Title<br>Energieversorgung                     |                               |               |
| Size<br>A4                                     | Number<br>DA IoT-LPWC         | Revision<br>3 |
| Date:<br>02.04.2015                            | Sheet 1 of 3                  |               |
| File:<br>C:\Users\...\energieversorgung.SchDoc | Drawn By:<br>Köfinger Michael |               |



|                                  |                             |                            |
|----------------------------------|-----------------------------|----------------------------|
| Title                            |                             |                            |
| Akkuladeschaltung für Li-Io Akku |                             |                            |
| Size                             | Number                      | Revision                   |
| A4                               | DA IoT-LPWC                 | 1                          |
| Date:                            | 02.04.2015                  | Sheet 2 of 3               |
| File:                            | C:\Users\...\LTC4077.SchDoc | Drawn By: Köfinger Michael |



Vakku → Vakku



|  |                                      |                            |
|--|--------------------------------------|----------------------------|
| Title                                      |                                      |                            |
| Spannungs-Komparator + LDO Spannungsregler |                                      |                            |
| Size                                       | Number                               | Revision                   |
| A4   | DA IoT-LPWC                          | 1                          |
| Date:                                      | 02.04.2015                           | Sheet 3 of 3               |
| File:                                      | C:\Users\...\power management.SchDoc | Drawn By: Köfinger Michael |

# Koefinger 5AHEL Energieversorgung V1 Top

1800,00mil

2800,00mil

