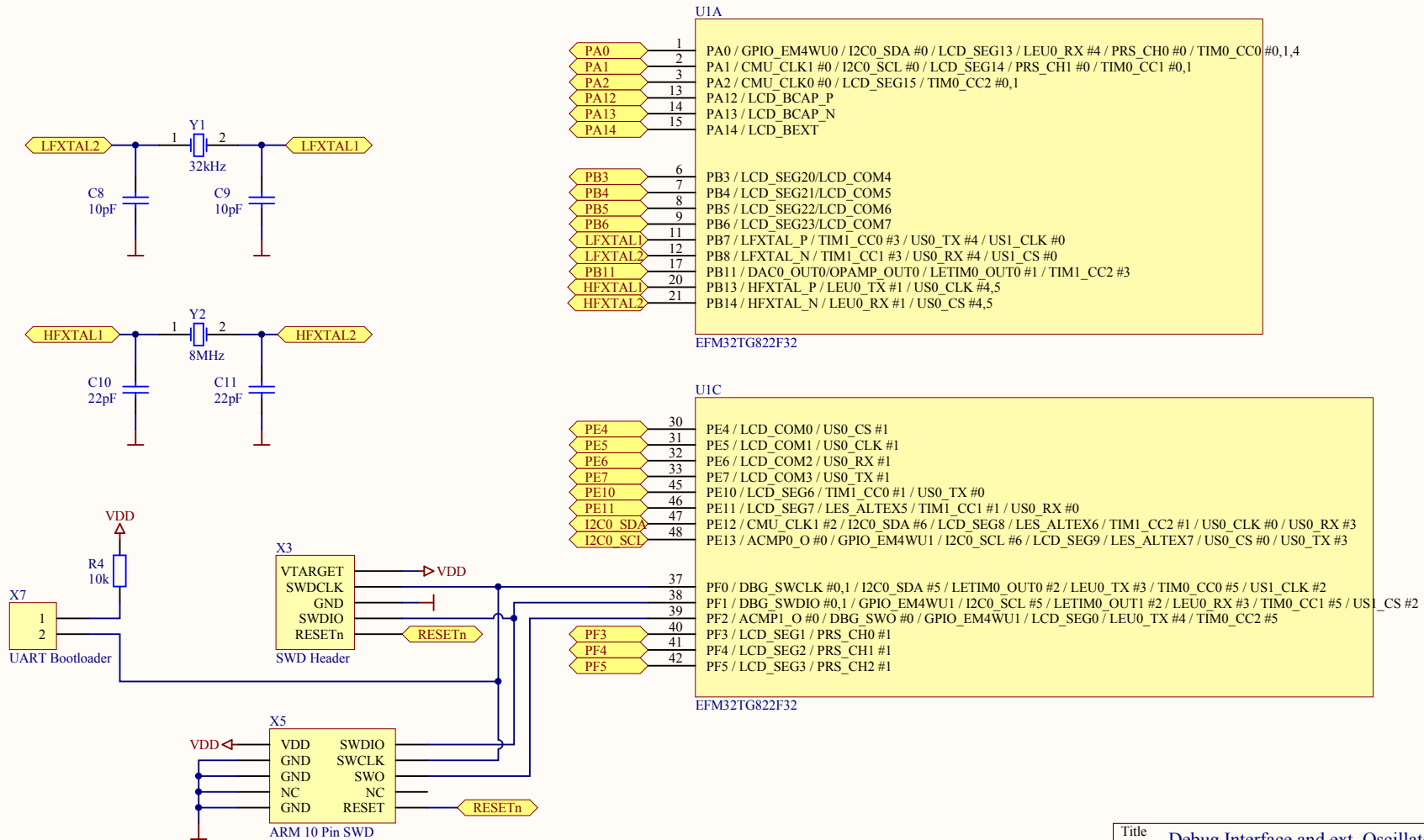
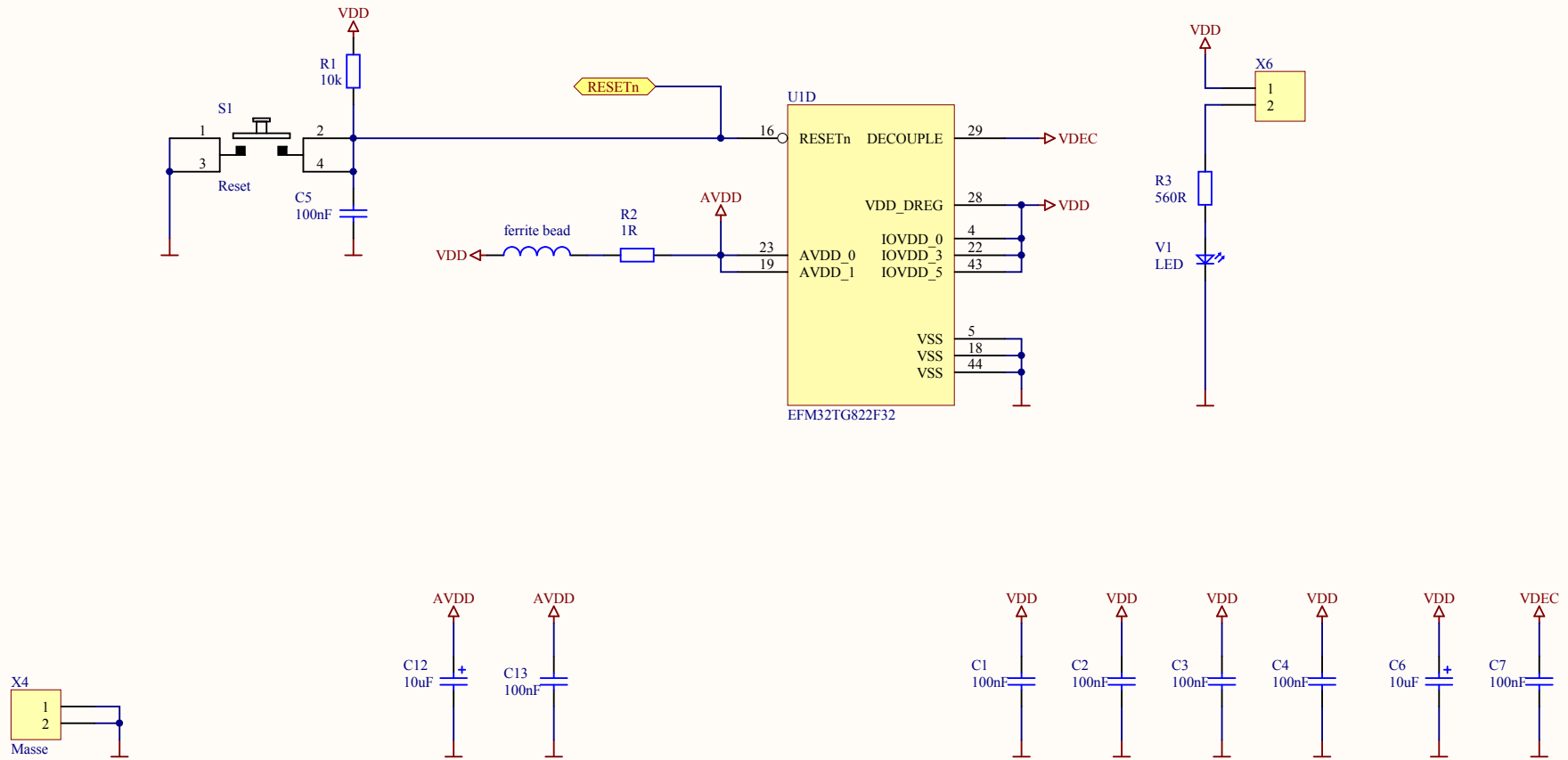


## Debug Interface & ext. Oscillator



Title		
Debug Interface and ext. Oscillator		
Size	Number	Revision
A4	DA IoT-Low Power Weather Capturing	V04
Date:	02.04.2015	Sheet 3 of 3
File:	C:\Users\...efm32_dil_clk_dbg.SchDoc	Drawn By: Köfinger Michael

## Reset & Decoupling



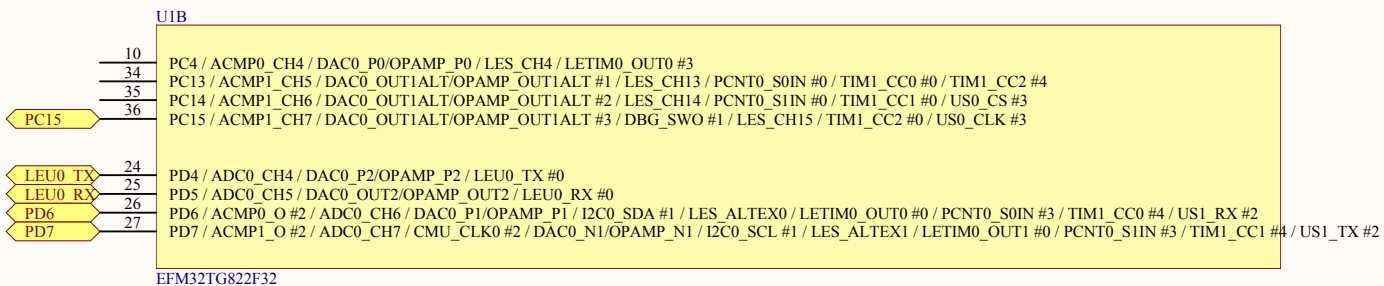
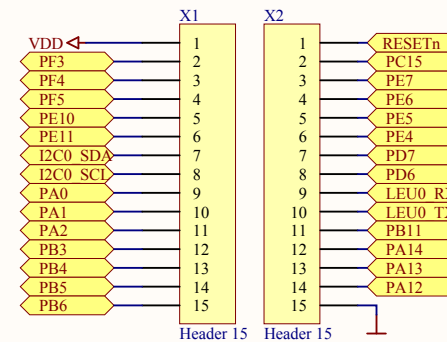
Title <b>Reset and Decoupling</b>		
Size A4	Number DA IoT-Low Power Weather Capturing	Revision V03
Date: 02.04.2015	Sheet 2 of 3	
File: C:\Users\...\efm32_dil_power.SchDoc	Drawn By: Köfing Michael	

# EFM32 Tiny Gecko 30pol DIL Adapter

Power\_Reset  
efm32\_dil\_power.SchDoc



Clock\_Debug  
efm32\_dil\_clk\_dbg.SchDoc



Title <b>EFM32 30pol DIL Adapter</b>		
Size A4	Number DA IoT-Low Power Weather Capturing	Revision V02
Date: 02.04.2015	Sheet 1 of 3	
File: C:\Users\...\efm32_dil_v22.SchDoc	Drawn By: Köfinger Michael	

